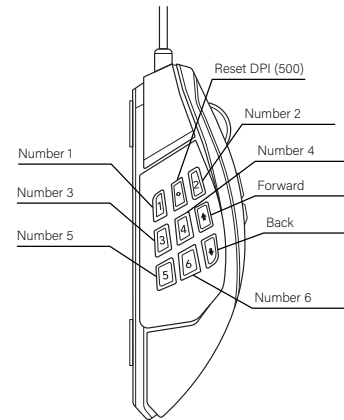
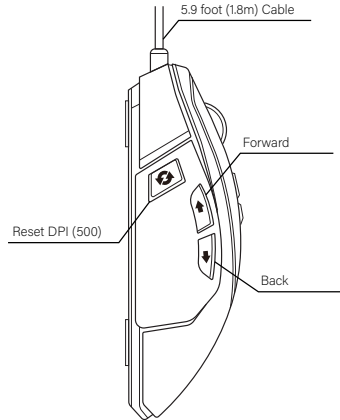
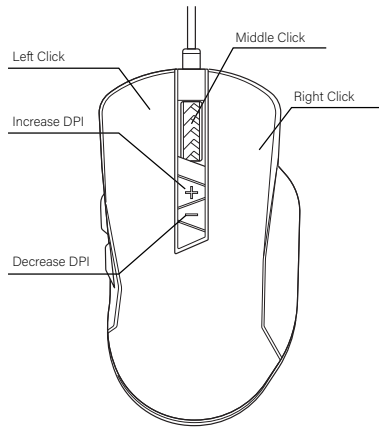




**ATRIX**  **GUILD MOUSE USER GUIDE**



**Need Help?**

Have any questions or comments? Need help getting set up? Contact us at <https://care.gamestop.com>

**What's Included**

- Guild Series RGB Gaming Mouse

**Adjusting DPI**

- Press DPI + or DPI - to adjust the DPI setting. The LED will change colors to indicate the change.
- > 800 DPI (Red) > 1600 DPI (Blue) > 3200 DPI (Green)
- > 4800 DPI (Yellow) > 6400 DPI (Cyan) > 16000 DPI (Purple)

**RGB Setting**

- Press back+middle click to cycle through RGB settings.

**Change Keys and Grip**

- The mouse comes with alternate keys and grips. To switch them out pull up from the bottom. These are magnetic and should slide back into place with ease.

**Important Safety Instructions**

**WARNING** When using this product, basic precautions should always be followed, including the following:  
 Read these instructions carefully.  
 All cautions and warnings should be followed.  
 Protect equipment from humidity.  
 Do not use chemical detergents to clean your device, use a soft dry cloth.  
 To avoid damage from electrical peaks unplug the device when it is not in use.  
 If one of the following situations arise, equipment has to be checked by qualified service personnel:  
 • Liquid has penetrated into the equipment.  
 • Equipment has been exposed to humidity.  
 • Equipment has been dropped and/or is damaged.  
 • Equipment has obvious sign of breakage.  
 • Equipment does not work well or you cannot get it working according to user's manual.

**SAVE THESE INSTRUCTIONS**

This device complies with Part 15 of the FCC rules. Operation is subject to the following two conditions: 1) this device may not cause harmful interference, and 2) this device must accept any interference received, including interference that may cause undesired operation.  
 Warning: Changes or modifications to this unit not expressly approved by the party responsible for compliance could void the user's authority to operate the equipment.  
 NOTE: This equipment has been tested and found to comply with the limits for a Class B digital device, pursuant to Part 15 of the FCC Rules. These limits are designed to provide reasonable protection against harmful interference in a residential installation. This equipment generates, uses and can radiate radio frequency energy and, if not installed and used in accordance with the instructions, may cause harmful interference to radio communications.  
 However, there is no guarantee that interference will not occur in a particular installation. If this equipment does cause harmful interference to radio or television reception, which can be determined by turning the equipment off and on, the user is encouraged to try to correct the interference by one or more of the following measures:  
 • Reorient or relocate the receiving antenna.  
 • Increase the separation between the equipment and receiver.  
 • Connect the equipment into an outlet on a circuit different from that to which the receiver is connected.  
 • Consult the dealer or an experienced radio/TV technician for help.