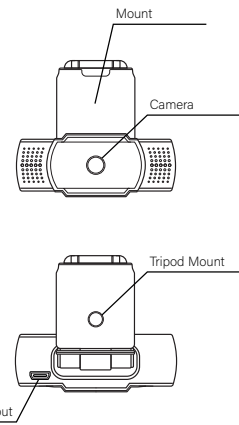
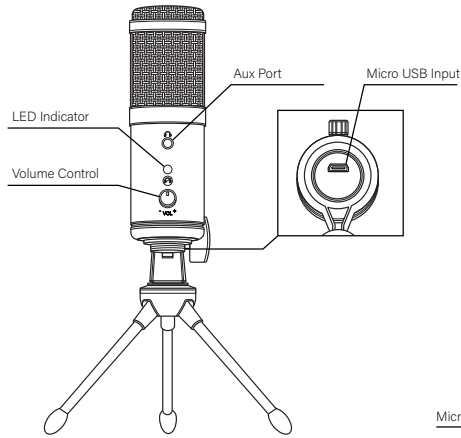
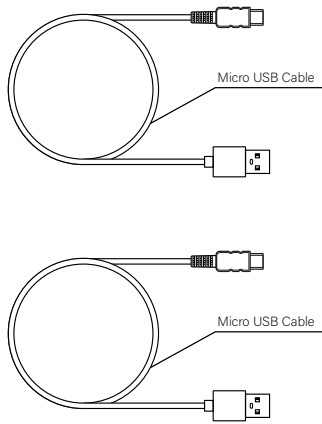


6.25 INCHES

ATRIX **STREAMING KIT USER GUIDE**



Need Help?

Have any questions or comments? Need help getting set up? Contact us at <https://care.gamestop.com>

What's Included

- USB Microphone (Included Microphone and Angle Lock and Tripod)
- USB HD Webcam with Mounting Bracket
- LED Light with Stand
- Micro USB Cable x2
- AC/DC Power Adapter

Setting Up the Microphone

- Plug the micro USB end of the included cable into the base of the microphone and the USB end into a laptop or computer. The power indicator light will turn blue if it is working properly.

- Use the Volume knob to control the Microphone volume, and press it to switch the monitor mode.
- Loosen the angle lock and adjust the mic to a 90° and position it about 6" (15cm) from the user.
- The microphone is plug and play and should work immediately with both Windows and Mac.

Microphone Troubleshooting

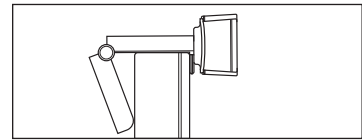
- The microphone is plug and play and settings can be adjusted using the volume knob. If there are issues connecting or you would like to adjust levels using the computer interface follow these steps:

Mac: Click the apple symbol > system preferences > sound > input > select Atrix Microphone and use the slider to adjust the levels to the desired settings.

Windows: Click the windows symbol > control panel > sound > recording > select Atrix Microphone and use the slider to adjust the levels to the desired settings.

Setting Up the Webcam

- Plug the micro USB end of the included cable into the base of the webcam and the USB end into a laptop or computer.
- The webcam will automatically power on.
- The webcam is plug and play and should work immediately with both Windows and Mac.
- Open the mounting bracket on the webcam and place it onto your monitor. Press the lip on the bracket to the front of the monitor. Press the back of the bracket into the back of the monitor. To avoid damage to your monitor do not press hard.



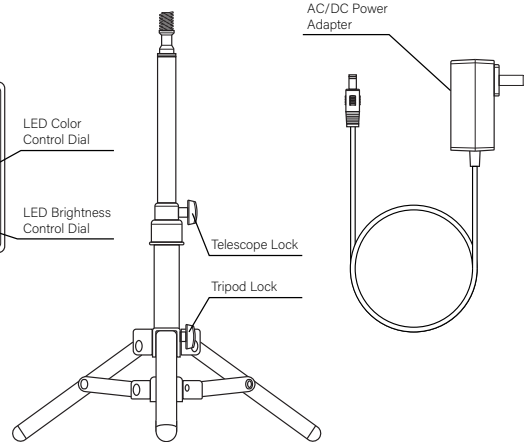
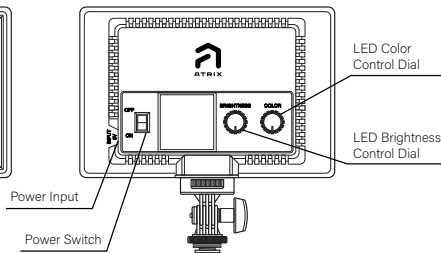
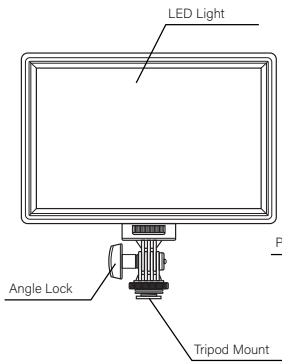
- You can also use the screw on the bottom of the bracket to mount the webcam to a tripod.

5.4 INCHES

FRONT

6.25 INCHES

ATRIX **STREAMING KIT USER GUIDE**



Setting up the LED Light

- Take the LED light and screw it onto the top of the tripod stand.
- Open the base of the tripod by loosening the leg lock on the base of the stand. Open the legs until the support struts lock into place. Tighten the leg lock.
- To adjust the height loosen the telescope lock and adjust to the desired height. Tighten the telescope lock after it is adjusted.
- Plug the DC end of the included power adapter into the back of the LED light and the opposite end into a grounded wall outlet.
- Use the knobs on the back to adjust the brightness of the LED light as well as the color temperature.
- Adjust the angle of the LED light by loosening the angle lock. It is recommended to start at a 30° angle and adjust from there. When the light is at the desired angle tighten the angle lock.
- Unplug the light when not in use.

Read these instructions carefully. All cautions and warnings should be followed. **Important Safety Instructions** WARNING When using this product, basic precautions should always be followed, including the following:

Read these instructions carefully. All cautions and warnings should be followed. Protect equipment from humidity. Do not use chemical detergents to clean your device, use a soft dry cloth. To avoid damage from electrical peaks unplug the device when it is not in use. If one of the following situations arise, equipment has to be checked by qualified service personnel:

- Liquid has penetrated into the equipment.
- Equipment has been exposed to humidity.
- Equipment has been dropped and/or is damaged.
- Equipment has obvious sign of breakage.
- Equipment does not work well or you cannot get it working according to user's manual.

SAVE THESE INSTRUCTIONS This device complies with Part 15 of the FCC rules. Operation is subject to the following two conditions: 1) this device may not cause harmful interference, and 2) this device must accept any interference received, including interference that may cause undesired operation. Warning: Changes or modifications to this unit not expressly approved by the party responsible for compliance could void the user's authority to operate the equipment.

NOTE: This equipment has been tested and found to comply with the limits for a Class B digital device, pursuant to Part 15 of the FCC Rules. These limits are designed to provide reasonable protection against harmful interference in a residential installation. This equipment generates, uses and can radiate radio frequency energy and, if not installed and used in accordance with the instructions, may cause harmful interference to radio communications.

However, there is no guarantee that interference will not occur in a particular installation. If this equipment does cause harmful interference to radio or television reception, which can be

determined by turning the equipment off and on, the user is encouraged to try to correct the interference by one or more of the following measures:

- Reorient or relocate the receiving antenna.
- Increase the separation between the equipment and receiver.
- Connect the equipment into an outlet on a circuit different from that to which the receiver is connected.
- Consult the dealer or an experienced radio/TV technician for help.



AC/DC Power Adapter Input: AC100-240V~50/60Hz 0.4A Output: 9V 2A

LED Model: GSSK01 LED Light Input: 9V 2A

Mic Model: GSSK01 Input: 5V 1A Max

Webcam Model: GSSK01 Input: 5V 1A Max

Important Safety Instructions

WARNING When using this product, basic precautions should always be followed, including the following:

ATRIX, Geeknet, Inc. 625 Westport Pkwy, Grapevine, TX 76051 Phone: 855-474-7717

5.4 INCHES

BACK